

Portable Rip Rap Plant



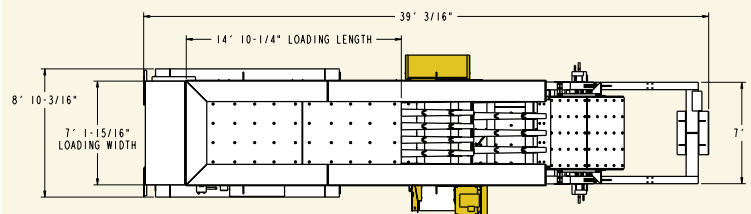
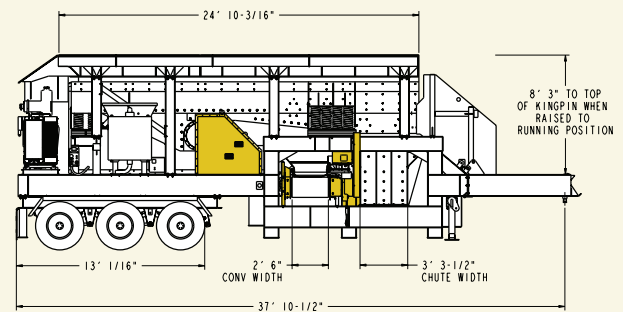
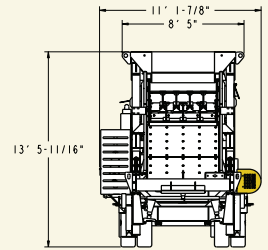
TXR5624
PORTABLE RIP RAP PLANT

TXR5624 | PORTABLE RIP RAP PLANT

- 56"x24' Model OFC140A Vibrating Grizzly Feeder with two 5' sections of adjustable grizzly bars.
- Portable chassis features heavy-duty I-beam construction. Chassis includes a triple axle suspension with air brakes, twelve 11:00 x 22.5 tires, landing jacks, jack screws, eight cribbing supports, mud flaps, and tail lights. Fold up king pin for run position.
- Main drive includes a John Deere 147KW electronic generator, fuel tank, and battery box with wiring. Complete electrical panel with operator control box, e-stops, and additional ports for outboard conveyors.
- 1/2" plate oversized material discharge chute lined with Hardox® liners. 1/2" plate primary grizzly chute to product conveyor. 3/4" plate secondary grizzly material chute with Hardox® liners.
- 30" cross conveyor has an impact bed with sliders. 5" diameter, Cema B troughing idlers with 4-ply belting.
- Heavy-duty 1" plate hopper with reinforcing ribs and vertical support beams.
- Heavy duty fender on the feed side to prevent material build up. (Optional hung rubber curtain available)
- All standard guards provided. NOTE: Terex Simplicity does not warrant that our guards will meet all local codes. It is the responsibility of the end user to have them checked by a local inspector.
- Durable Terex white paint.
- NOTE: Dimensions and specifications are subject to change without notice.



| | |
|--------------------------|--------------|
| Travel Height: | 13' 5-11/16" |
| Travel Width: | 10' 8-1/2" |
| Travel Length: | 37' 10-3/8" |
| King Pin Weight | 20,000 lbs. |
| Tandem Suspension Weight | 52,000 lbs. |
| Total Weight | 72,000 lbs. |



Effective Date: February, 2008. Product specifications and prices are subject to change without notice or obligation. The photographs and/or drawings in this brochure are for illustrative purposes only. Refer to the appropriate Operator's Manual for instructions on the proper use of this equipment. Failure to follow the appropriate Operator's Manual when using our equipment or to otherwise act irresponsibly may result in serious injury or death. The only warranty applicable to our equipment is the standard written warranty applicable to the particular product and sale and Terex makes no other warranty, express or implied. Products and services listed may be trademarks, service marks or trade-names of Terex Corporation and/or its subsidiaries in the USA and other countries and all rights are reserved. "Terex" is a registered trademark of Terex Corporation in the USA and many other countries. Copyright © 2008 Terex Corporation.